

MATERIALS AND CUTTING LIST

KEY NO.	DESCRIPTION	SIZE	
1/2-in. plywood			
A	2	Front/back panels	1/2 x 34 x 46-1/2 in.
B	1	Short end	1/2 x 16 x 22 in.
C	1	Tall end	1/2 x 16 x 36 in.
D	1	Bottom	1/2 x 14 x 44 in.
E	1	Short divider	1/2 x 14 x 17-1/4 in.
F	1	Tall divider	1/2 x 14 x 32 in.
G	1	Countertop	1/2 x 16 x 31-3/4 in.
H	1	Refrigerator top	1/2 x 16 x 16-1/2 in.
I	1	Oven shelf	1/2 x 14 x 14-1/2 in.
J	2	Refrigerator shelves	1/2 x 13-3/4 x 14 in.
K	1	Oven door	1/2 x 8-1/2 x 13 in.
L	1	Sink door	1/2 x 13 x 15 in.
M	1	Freezer door	1/2 x 7-1/2 x 13 in.
N	1	Refrigerator door	1/2 x 13 x 21 in.
O	2	Burner circles	1/2 in. x 6 in. dia.

3/4-in. pine

P	2	Bottom cleats	3/4 x 1-1/2 x 44 in.
Q	4	Short divider tracks	3/4 x 3/4 x 17 in.
R	4	Tall divider tracks	3/4 x 3/4 x 31-3/4 in.
S	5	Wide cleats	3/4 x 1-1/2 x 12 in.
T	2	Long cleats	3/4 x 3/4 x 29 in.
U	10	Short cleats	3/4 x 3/4 x 12 in.

SHOPPING LIST

1/2-in. plywood (3 sheets of 60 x 60-in. Baltic birch or 2 sheets of 4x8-ft. AC plywood)

1x4 x 8-ft. Aspen or similar clear wood (2)

Flush-mount free-swinging cabinet hinges (8; see SOURCES ONLINE)

No. 6 x 1/2-in. flathead wood screws (for hinges)

Sash locks (5)

3- to 4-in.-long cabinet door handles (2)

5- to 6-in.-long cabinet door handles (2)

No. 8 x 32 x 3/4-in. machine screws (for handles)

1/4-in.-dia. x 1-in. bolts (3)

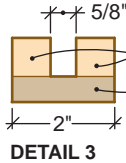
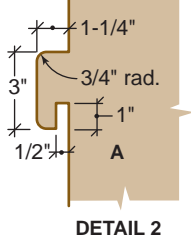
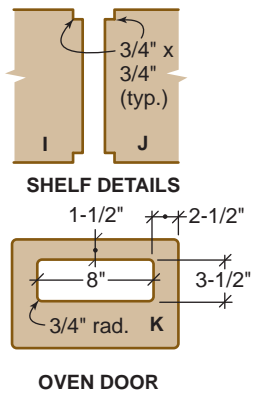
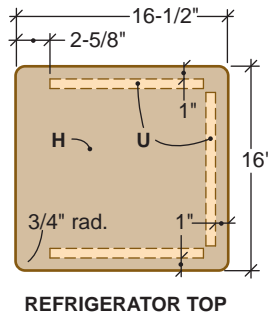
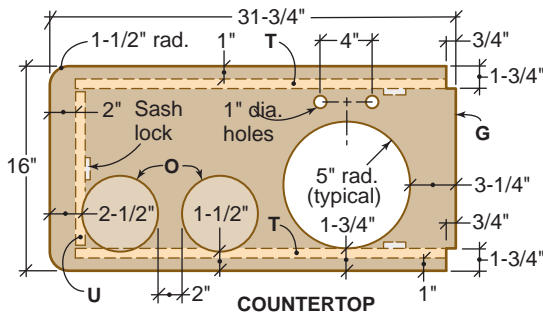
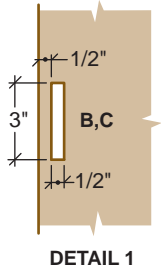
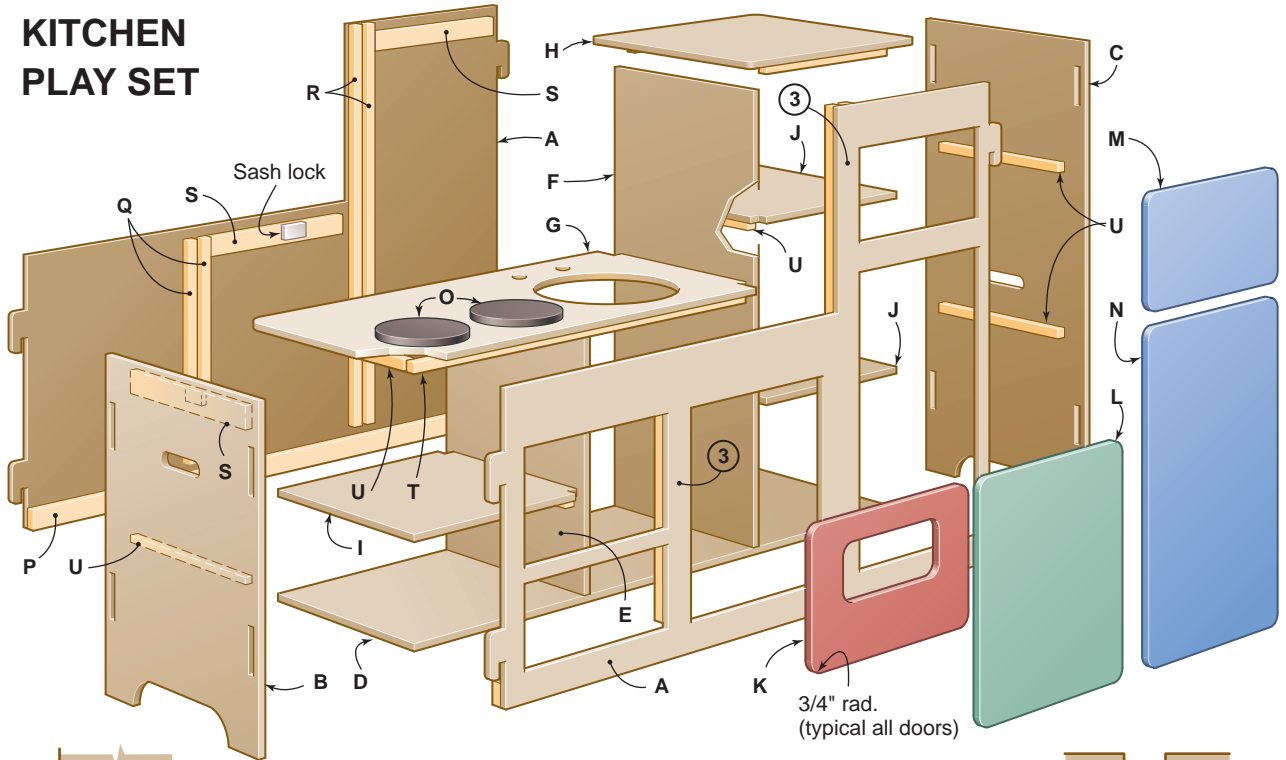
1/4-in. flat washers (6)

10-in.-dia. stainless steel bowl

4-in. bathroom faucet

Replacement stove and oven knobs (3)

KITCHEN PLAY SET



Note: Mount cleats on inside surfaces of front and back (A). Door cutouts are made in front panel only.

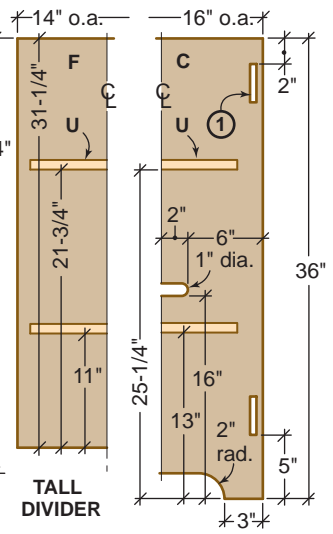
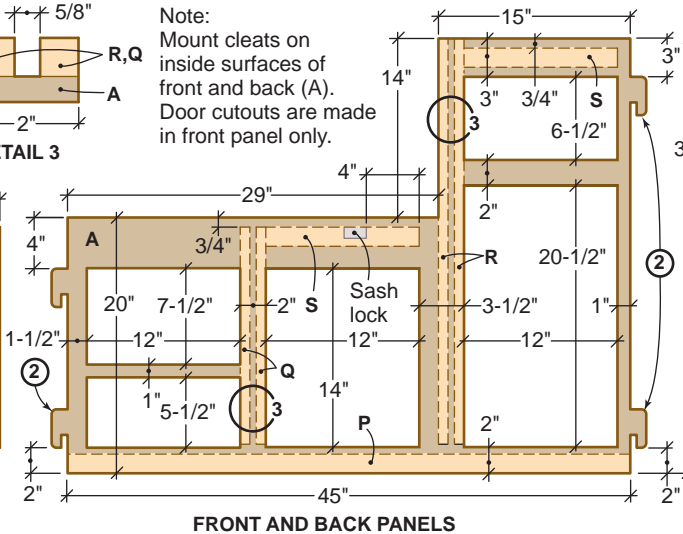
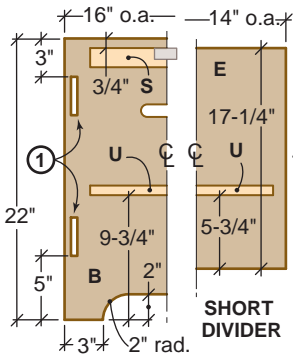


ILLUSTRATION BY GABRIEL GRAPHICS