

KIDS' PICNIC TABLE CUTTING DIAGRAM

CUTTING LIST

	QT.	PART	T	W	L
A	4	rails (cedar)	$\frac{3}{4}$	$3\frac{1}{2}$	30
B	2	seat stretchers (cedar)	$\frac{3}{4}$	$3\frac{1}{2}$	30
C	3	top stretchers (cedar)	$\frac{3}{4}$	$3\frac{1}{2}$	14
D	4	uprights (cedar)	$\frac{3}{4}$	$7\frac{1}{4}$	$14\frac{1}{2}$
E	4	legs (cedar)	$\frac{3}{4}$	$7\frac{1}{4}$	$7\frac{1}{4}$
F	4	side spacers (cedar)	$\frac{3}{4}$	$3\frac{1}{2}$	$7\frac{1}{4}$
G	3	seats/top center (cedar)	$\frac{3}{4}$	$7\frac{1}{4}$	$31\frac{1}{4}$
H	2	top slats (cedar)	$\frac{3}{4}$	$5\frac{1}{2}$	30

CUTTING DIAGRAM



$\frac{3}{4}$ -in x $3\frac{1}{2}$ -in x 96-in cedar (1 x 4 x 8)



$\frac{3}{4}$ -in x $3\frac{1}{2}$ -in x 96-in cedar (1 x 4 x 8)



$\frac{3}{4}$ -in x $3\frac{1}{2}$ -in x 96-in cedar (1 x 4 x 8)



$\frac{3}{4}$ -in x $7\frac{1}{4}$ -in x 96-in cedar (1 x 6 x 8)



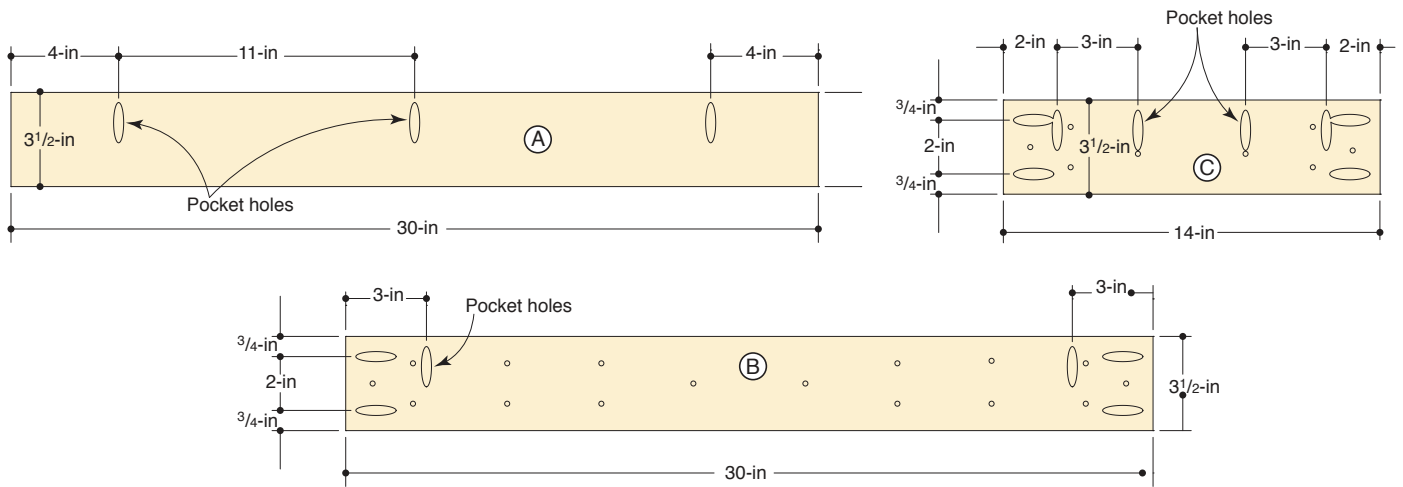
$\frac{3}{4}$ -in x $7\frac{1}{4}$ -in x 96-in cedar (1 x 6 x 8)



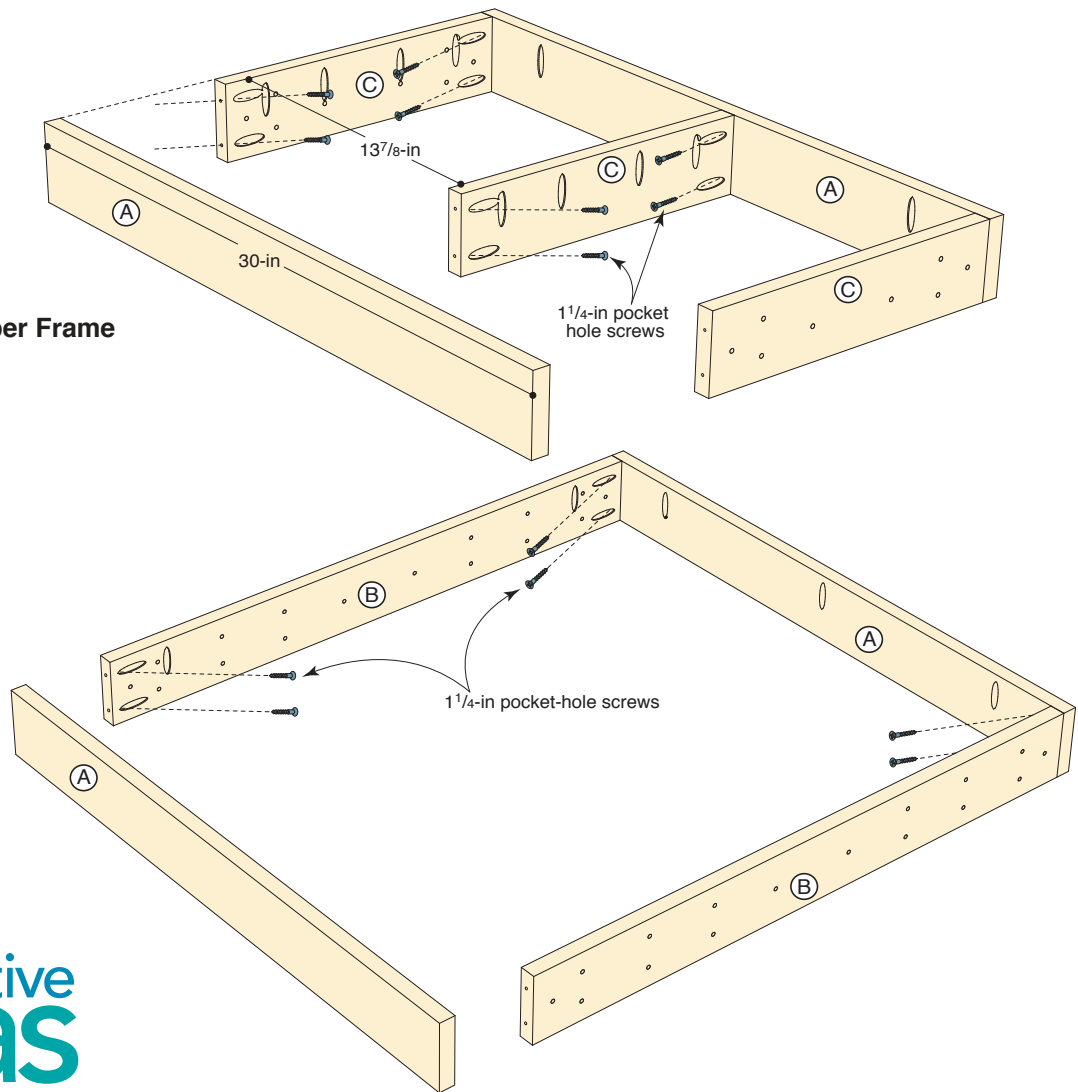
$\frac{3}{4}$ -in x $5\frac{1}{2}$ -in x 96-in cedar (1 x 6 x 8)

KIDS' PICNIC TABLE PROJECT DIAGRAM

DRAWING 1
Pocket Hole Locations

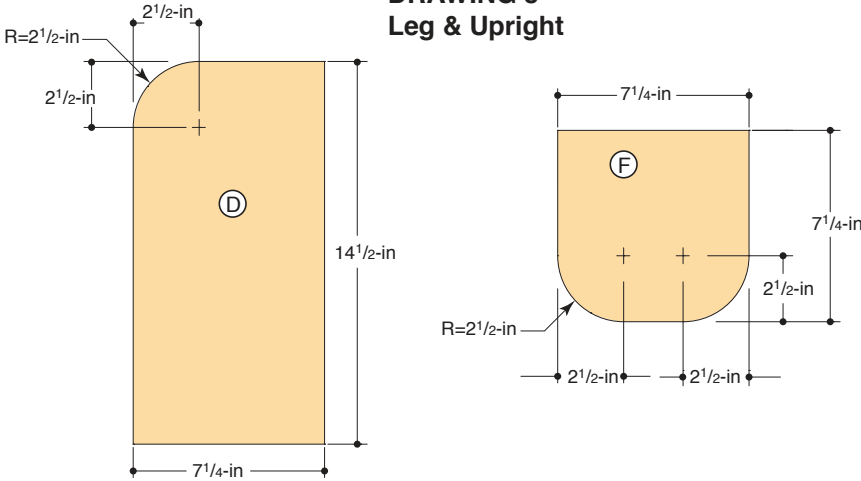


DRAWING 2
Lower & Upper Frame



KIDS' PICNIC TABLE PROJECT DIAGRAM

**DRAWING 3
Leg & Upright**



**DRAWING 4
Final Assembly**

